

LTE 5000 Series

Processor/System Boards	Spare Part	System	Config. Codes
Processor Board (75 MHz, w/ 8 MB RAM)	213556-001	5000	HQV7, HQW7, HQT7
Processor Board (90 MHz, w/ 8 MB RAM)	213557-001	5100	HQU7, HQL7
Processor Board (100 MHz), w/ 8 MB RAM	224136-001	5150	HZN7
Processor Board (120 MHz, w/ 8 MB RAM)	213628-001	5200	HQK8
Processor Board (120 MHz), 16 MB	224137-001	5250, 5280	HZM7, HZL7, HZL8
Processor Board (133 MHz), 16 MB	224138-001	5300	HZK8
Processor Board (133 MHz), 2.1 GB	224138-002	5380	BJJ9
Processor Board (133 MHz), 2.1 GB	224138-001	5300	BJK9
Processor Board (150 MHz), 16 MB	242166-001	5400	BJL9
System Board	213546-001	5000, 5100, 5200	HQU7, HQL7, HQK8, HQV7, HQW7, HQT7
System Board	224135-001	5280, 5150, 5250, 5300, 5400	HZN7, HZM7, HZL7, HZL8, HZK8, BJJ9
System Board	242115-001	5380	BJJ9

Processor Board Jumper Settings	Processor Board & Part#	JP3 Type 0	JP2 Type 1	JP4 Type 2
LTE 5000 10.4" VGA CSTN (213646-001)	75 MHz 213556-001	1 - 2	2 - 3	1 - 2
LTE 5000 10.4" VGA CTFT (213547-001)	75 MHz 213556-001	2 - 3	2 - 3	1 - 2
LTE 5000 11.3" SVGA CSTN (213549-001)	75 MHz 213556-001	1 - 2	2 - 3	2 - 3
LTE 5100 10.4" SVGA CTFT (213548-001/224149-001)	90 MHz 213557-001	2 - 3	2 - 3	2 - 3
LTE 5200 10.4" SVGA CTFT (213548-001/224149-001)	120 MHz 213628-001	2 - 3	2 - 3	2 - 3
LTE 5280 11.3" SVGA CTFT (224140-001)	120 MHz 224137-001	2 - 3	2 - 3	2 - 3

Continued

LTE 5000 Series

Processor Board Jumper Settings		Processor Board & Part#	JP3 Type 0	JP2 Type 1	JP4 Type 2
LTE 5300	12.1" SVGA CTFT (224139-001)	133 MHz 224138-001	2 - 3	2 - 3	2 - 3
LTE 5150	Rev. 4.x* 11.3" SVGA CSTN (224141-001)	100 MHz 224136-001	1 - 2	1 - 2	1 - 2
LTE 5150	Rev. 2.x* 11.3" SVGA CSTN(224141-001)	100 MHz 224136-001	2 - 3	1 - 2	1 - 2
LTE 5250	10.4" SVGA CTFT (242117-001)	120 MHz 224137-001	2 - 3	2 - 3	2 - 3
LTE 5380	12.1" XGA CTFT (242116-001)	133 MHz 224138-002	2 - 3	1 - 2	1 - 2
LTE 5400	12.1" CTFT,SVGA (224139-001)	150 MHz 242166-001	2 - 3	2 - 3	2 - 3

*Verify the display panel revision number by checking the printed number on the large ferrite bead on the display cable. The display cable is located on the left side of the display assembly.

Password Jumper Setting

	JP1
Erase Password	1-2
Normal	2-3

Memory Boards

Memory Boards	Spare Part	System
8 MB Memory Expansion Board	213536-001	All
16 MB Memory Expansion Board	213536-002	All
32 MB Memory Expansion Board	213536-003	All
64 MB Memory Expansion Board	213536-004	All

Display Assemblies

Display Assemblies	Spare Part	System	Config. Codes
Display Assy, VGA, 10.4" CSTN ¹	213646-001	5000	HQV7
Display Assy, SVGA, 11.3" CSTN ¹	213549-001	5000	HQW7
Display Assy, VGA, 10.4" CTFT ¹	213547-001	5000	HQT7
Display Assy, SVGA, 10.4" CTFT ¹	213548-001	5100, 5200	HQU7, HQL7, HQB8

Continued

LTE 5000 Series

Display Assemblies	Spare Part	System	Config. Codes
Display Assy, SVGA, 10.4" CTFT ¹	242117-001	5250	HZM7
Enhanced Display Assy, SVGA, 10.4" CTFT ^{1,2}	224149-001	5100, 5200	HQU7, HQL7, HQB8
Display Assy, SVGA, 11.3" STN ¹	224141-001	5150	HZN7
Display Assy, SVGA, 11.3" CTFT ¹	224140-001	5280	HZL7, HZL8
Display Assy, SVGA, 12.1" CTFT ¹	224139-001	5300, 5400	HZK8
Display Assy, XGA, 12.1" CTFT	242116-001	5380	BJJ9
Display Bezel w/ Speakers, 10.4" CSTN	213647-001	5000	
Display Bezel w/ Speakers, 11.3" CSTN	213609-001	5000, 5150	
Display Bezel w/ Speakers, 11.3" CTFT	224167-001	5280	
Display Bezel w/ Speakers, 12.1" CTFT	224157-001	5300, 5380	
Display Bezel w/ Speakers, 10.4" CTFT	213540-001	5100, 5200	
Display Bezel w/ Speakers, Enhanced, 10.4" CTFT	213647-002	5250	
Status Display Assembly	213534-001	5000, 5100, 5200	
Status Display Assembly	213534-002	5150, 5250, 5280, 5300, 5380	

¹Includes inverter, cables, clutch assemblies, and logos.

²For use on units with serial numbers within J605XXXXXXXXX and higher.

Miscellaneous External	Spare Part	System
Cable, Y, Audio In, MPEG	241935-001	5150, 5250
External AC Adapter	213563-001	All
External AC Adapter, MPEG	241909-001	All

LTE 5000 Series

Miscellaneous Internal	Spare Part	System
Auxiliary Battery	213532-001	All
Base Assembly	213542-001	All
Clutch Kit	213541-001	All
EasyPoint II Controller Board	213538-001	All
Keyboard, w/ Shield	213533-201	All
Li-Ion Battery	213565-001	All
Microphone, Internal	213626-001	All
NiMH Battery Pack	213564-003	5000, 5100, 5200
NiMH Battery Pack	213564-002	5280, 5300
NiMH Battery Pack	213564-003	5150, 5250, 5380, 5400
Power Board, DC/DC	213562-001	All

Diskette Drive	Spare Part	System
1.44 MB	213560-001	All

PC Cards	Assembly	Spare Part	System
10 Base-T Ethernet LAN Card		224757-001	All
192 PCMCIA Fax Modem	004329	188512-001	All
288 PCMCIA Fax Modem	004467	189661-001	All
PCMCIA 2400/9600 Data + Fax	149775-001	194098-001	All
SpeedPaq 144/P PCMCIA Modem	198112-001	194131-001	All
SpeedPaq 192 PCMCIA Fax Modem	004234	187123-001	All
SpeedPaq 33.6 Telephony	266201-001	266203-001	All

CD-ROM Drive	Spare Part	System
CD-ROM Drive, Dualspeed	213561-002	5100 (CD model)
CD-ROM Drive, 6X	242113-001	All

Hard Drives	Spare Part	System
510 MB*	213558-001	5000
810 MB*	213559-001	5000, 5100, 5150, 5250
1.35 GB*	213722-001	5200, 5250
2.16 GB*	242114-001	5380, 5400
2.16 GB, DFP	242169-001	5380, 5400
Hard Drive Carrier	213610-001	All

*Option on all models.

LTE 5000 Series

MultiBay Expansion Base (MEB)	Spare Part	System
I/O Board	213706-001	MEB
IrDA Board w/ Cable	213715-001	MEB
MPEG Connector w/ Frame	213761-001	MEB
Power Switch Board w/ Cable	213714-001	MEB
Power Supply w/ Fan	213707-001	MEB
Speaker	213763-001	MEB
Top Cover Assy w/ Bays & Connector Board	213711-002	MEB

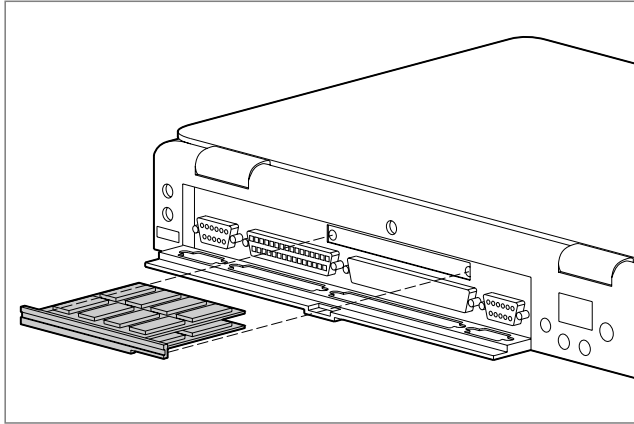
MultiBay ISA Expansion Base	Spare Part	System
Backplane, ISA	241957-001	MEB ISA
IrDA Board w/ Cable	213715-002	MEB ISA
I/O Board	241958-001	MEB ISA
MPEG Connector w/ Frame	242128-001	MEB ISA
Power Supply w/ Fan	241959-001	MEB ISA
Power Switch Board w/ Cable	213714-002	MEB ISA
Speaker Box Assy	241956-001	MEB ISA
Top Cover Assy w/ Bays & Connector Board	213711-003	MEB ISA

ROM Information	Spare Part	System
ROMPaq	182358-001	All

LTE 5000 Series

Memory Upgrade Chart

SYSTEM MEMORY
8 MB/ or 16MB



MAXIMUM MEMORY IS 72 MB for Models 5000, 5100, 5200
MAXIMUM MEMORY IS 80MB for Models 5150,5280,5300,5380,5400

ADD ANY ONE OF THE FOLLOWING
MEMORY MODULES:

- 8 MB MEMORY EXPANSION BOARD
OPTION PN 213515-001
- 16 MB MEMORY EXPANSION BOARD
OPTION PN 213515-002
- 32 MB MEMORY EXPANSION BOARD
OPTION PN 213515-003
- 64 MB MEMORY EXPANSION BOARD
OPTION PN 213515-004